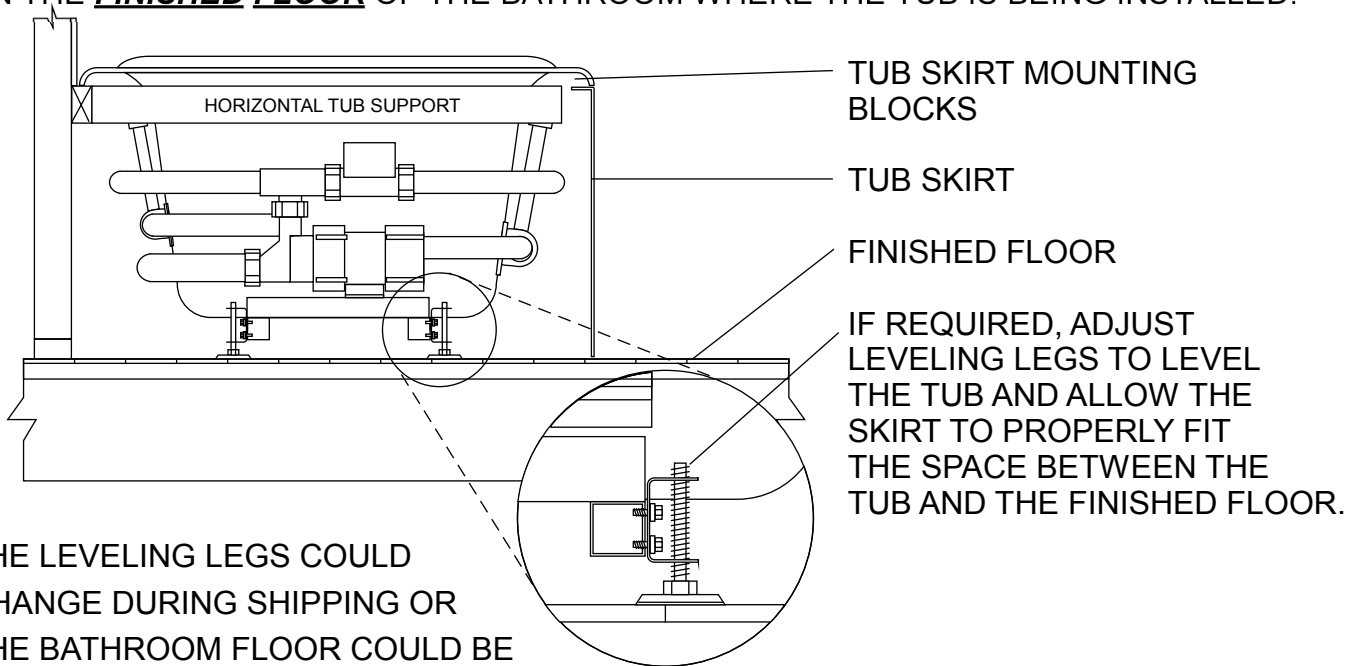


ACRYLIC SKIRT INSTALLATION

PREPARATION

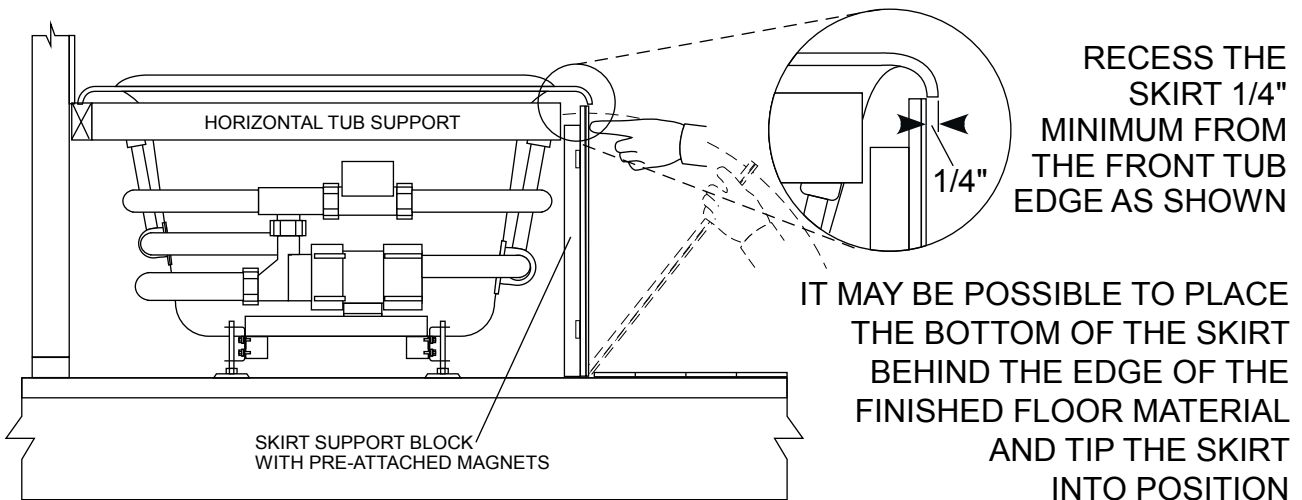
YOUR TUB HAS FOUR LEVELING LEGS THAT HAVE BEEN SET AT THE FACTORY TO A HEIGHT THAT FITS THE SKIRT ORDERED. IT'S THE INSTALLER'S RESPONSIBILITY TO CHECK THAT THE SKIRT AND TUB FIT CORRECTLY WHEN THE TUB IS PLACED ON THE **FINISHED FLOOR** OF THE BATHROOM WHERE THE TUB IS BEING INSTALLED.



THE LEVELING LEGS COULD CHANGE DURING SHIPPING OR THE BATHROOM FLOOR COULD BE OUT OF LEVEL. IF NECESSARY, RE-ADJUST THE LEGS.

IF YOU HAVE TO RE-ADJUST THE LEGS, MAKE SURE THAT THE TUB AND SKIRT FIT TOGETHER CORRECTLY AND THE SKIRT IS THE CORRECT HEIGHT.

IF YOU DECIDE TO FIT THE TUB AND SKIRT ON THE SUB FLOOR AND INSTALL YOUR FLOOR FINISH MATERIAL LATER (TILE, CARPET, WOOD, ETC...), BE SURE YOU CAN GET THE SKIRT OUT AFTER THE FINISHED FLOOR MATERIAL IS INSTALLED.

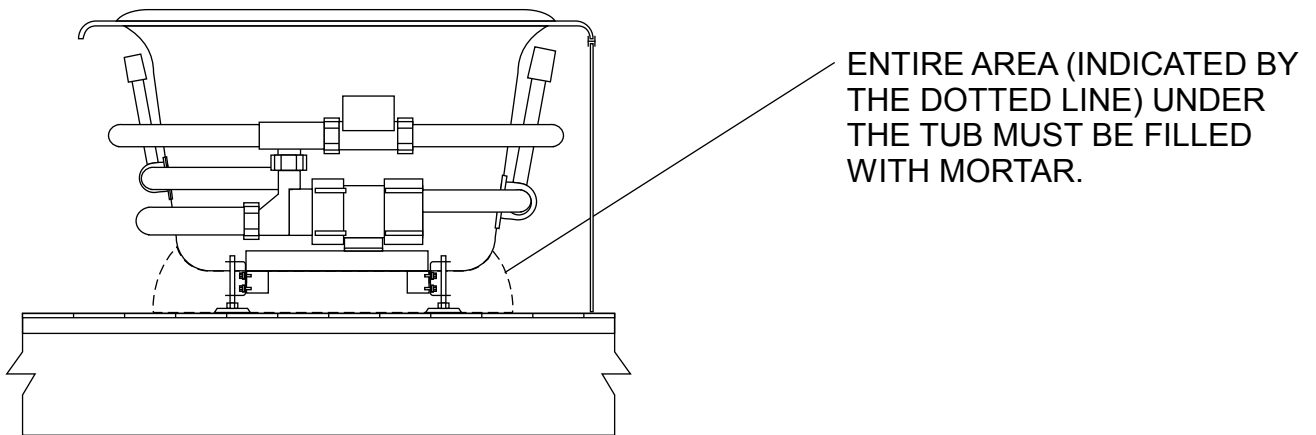


IT IS THE INSTALLER'S OBLIGATION TO INSURE THAT THE SKIRT FITS PROPERLY AND IS NOT UNDER STRAIN OR TWISTED. THE SKIRT CAN BE TRIMMED, BUT CARE SHOULD BE TAKEN WHEN CUTTING IT.

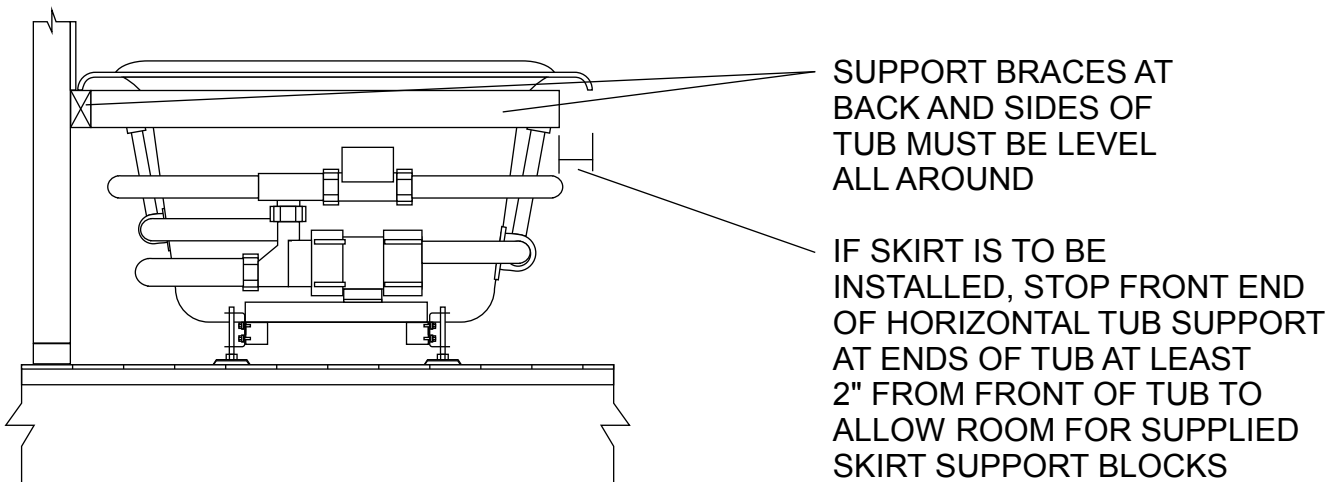
CALL WATERTech IF YOU NEED HELP OR SUGGESTIONS. **1-800-795-7480**

ACRYLIC SKIRT INSTALLATION

1. TEMPORARILY PUT THE TUB IN PLACE. CHECK TUB FOR LEVEL AND THAT THE SKIRT FITS PROPERLY. DECIDE HOW MUCH MORTAR IS NEEDED TO FILL UNDER THE TUB (USUALLY 1" TO 4")

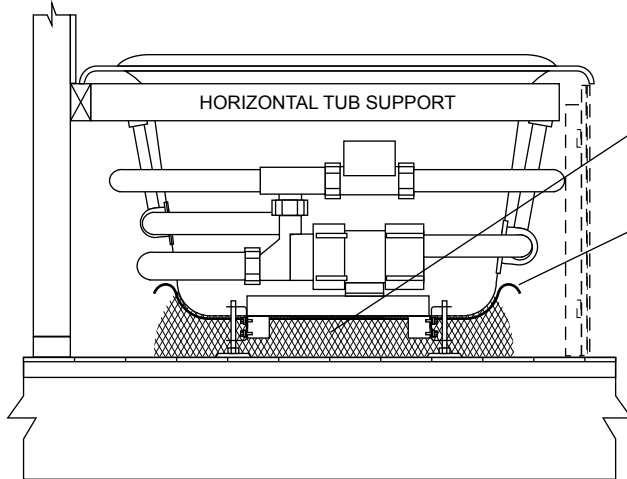


2. INSTALL SUPPORT BRACES (USUALLY 2 X 4 OR 2 X 2) UNDER THE DECK ON EACH END AND THE BACK WALL. THEY SHOULD BE IN CONTACT WITH THE TUB LIPS, THE BRACES ATTACH TO THE HOME'S WALL FRAMING.



ACRYLIC SKIRT INSTALLATION

3. TAKE TUB OUT AND PLACE NECESSARY MORTAR ON FLOOR OR SUB-FLOOR, THEN REINSTALL TUB MAKING SURE TUB IS LEVEL AND SKIRT FITS. DO NOT LET MORTAR GET UNDER THE FOUR LEVELING LEGS THAT SIT ON THE FLOOR. KEEP MORTAR FAR ENOUGH FROM DRAIN TO ALLOW PLUMBER TO INSTALL DRAIN AND OVERFLOW



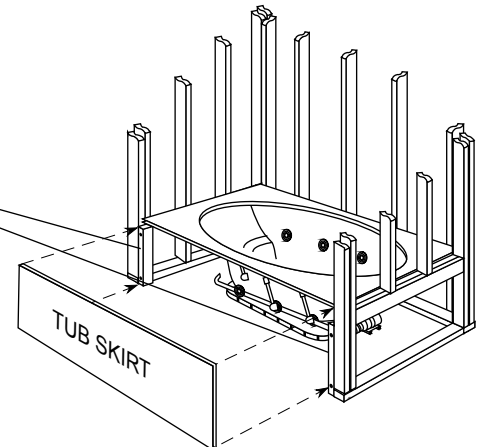
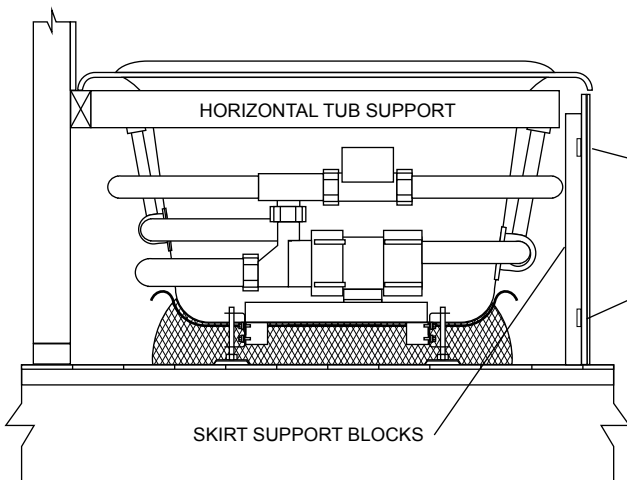
FILL ENTIRE AREA UNDER TUB WITH MORTAR

PLACE 4 TO 6 MIL POLYETHYLENE SHEET OVER MORTAR

DO NOT GET INTO TUB
FOR ANY REASON UNTIL MORTAR HAS SET

4. AFTER MORTAR HAS HARDENED AND THE BATHROOM FLOOR IS FINISHED ATTACH THE MOUNTING BLOCKS WITH MAGNETS TO THE WALL. THE SUPPLIED MOUNTING BLOCKS SHOULD BE INSTALLED ON THE END WALLS OF THE TUB ENCLOSURE SO THE FRONT OF THE SKIRT IS RECESSED A MINIMUM OF 1/4" FROM EDGE OF TUB LIP.

ATTACH SUPPORT BLOCKS TO WALL UNDER TUB TO INSTALL TUB SKIRT IN DESIRED POSITION



MAGNETS

THE MAGNETS IN THE MOUNTING BLOCKS WILL HOLD THE SKIRT IN PLACE ONCE THEY COME IN CONTACT WITH THE METAL PLATES ON THE BACK OF THE TUB SKIRT