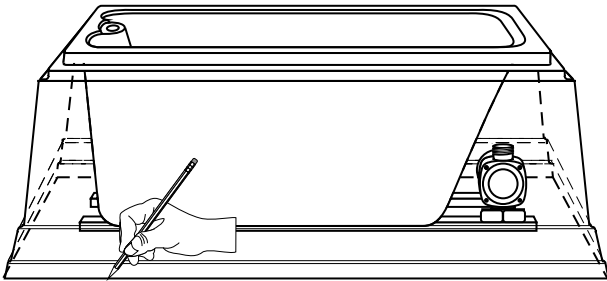
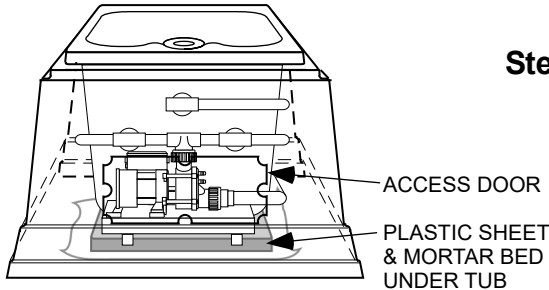


Installation Instructions for Model FSA6032 ELITE (Freestanding Bath)

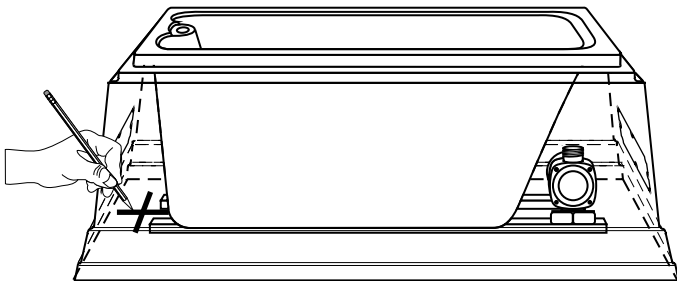
Read all instructions before starting installation



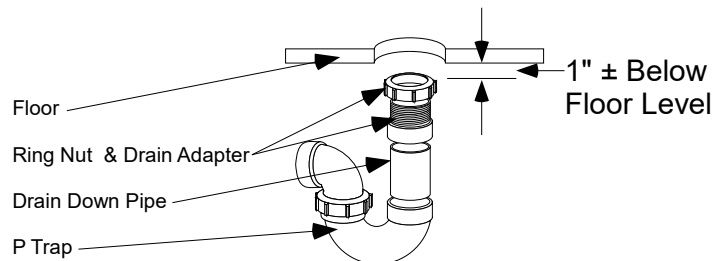
Step 1. Place the tub & cabinet in the desired location and outline the perimeter of the cabinet on the floor. Check the tub for level in all directions



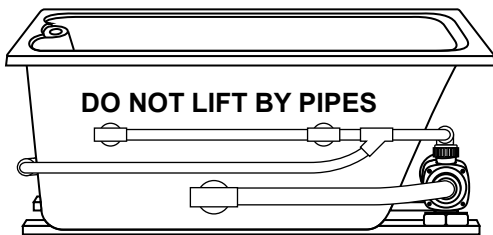
Step 2. Look through access door on both ends of the tub to determine how much mortar will be needed to fill the entire area under the tub floor. When the mortar is put into place it will fill the entire area between the tub bottom and the floor & ensures the tub floor will be solid & never flex.



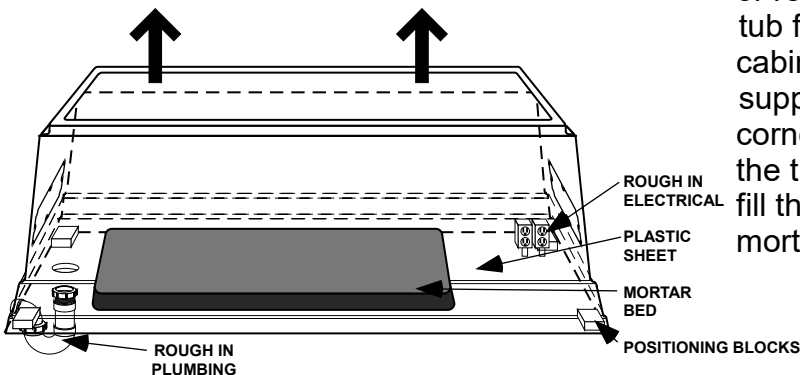
Step 3. If rough in plumbing and electrical are already in place, check to be sure everything is positioned correctly. Adjust as necessary. If the rough in plumbing or electrical are not in place mark the location on the subfloor where it will need to be installed. (drain, waterlines, electrical, etc...) Drill or cut the necessary openings.

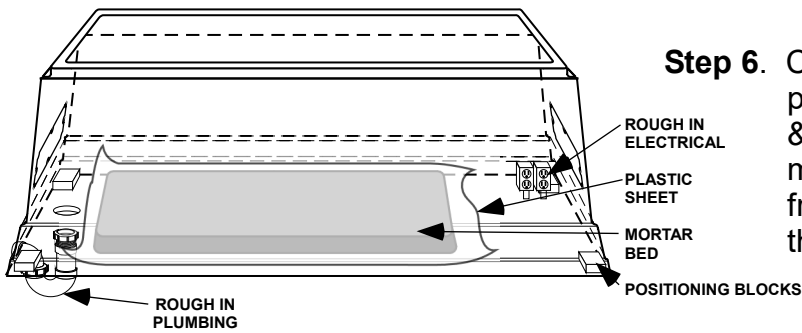


TYPICAL ROUGH IN PLUMBING

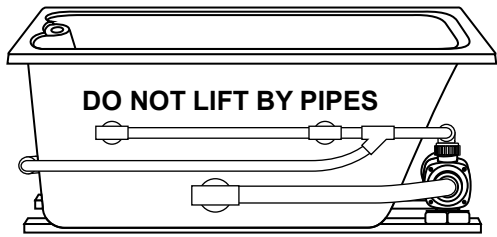


Step 4. Remove the tub from the cabinet to install the rough in electrical & plumbing. Do not lift by the jet or return plumbing. It may be necessary to tilt the tub from side to side and end to end. With the cabinet in place, install the four wooden blocks supplied with the cabinet. Place one block in each corner. The blocks installed on the floor to keep the tub from moving. After rough ins are in place fill the entire area where the tub floor will be with mortar-- too much mortar is better than not enough.

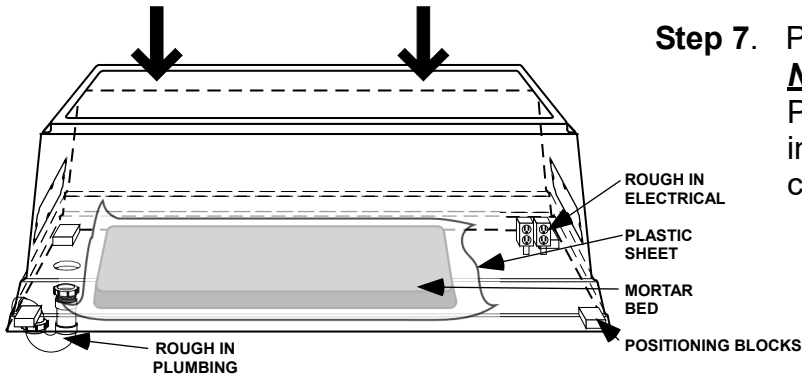




Step 6. Cover the mortar with 3 or 4 mil plastic sheet to prevent the mortar from adhering to the tub bottom & allow the tub to be removed if needed after the mortar hardens. Keep the mortar far enough away from the plumbing & electrical to not interfere with their installation or use.

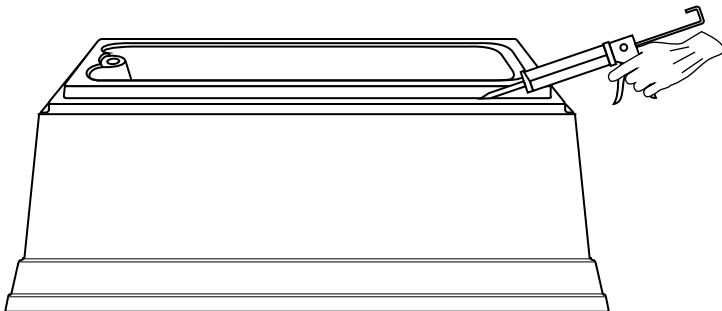


Step 7. Place the tub back in the cabinet. ***NEVER*** lift the tub by the pipes or jets!!!! Push the tub into the mortar until it is fully seated into the cabinet and sits firmly and evenly on the cabinet top.



Step 8. Hook up all electrical & plumbing after the mortar has fully hardened.

Step 9. If desired, seal the joint between the cabinet & tub lip with the supplied silicone caulk



For questions or assistance call:
1-888-795-7480