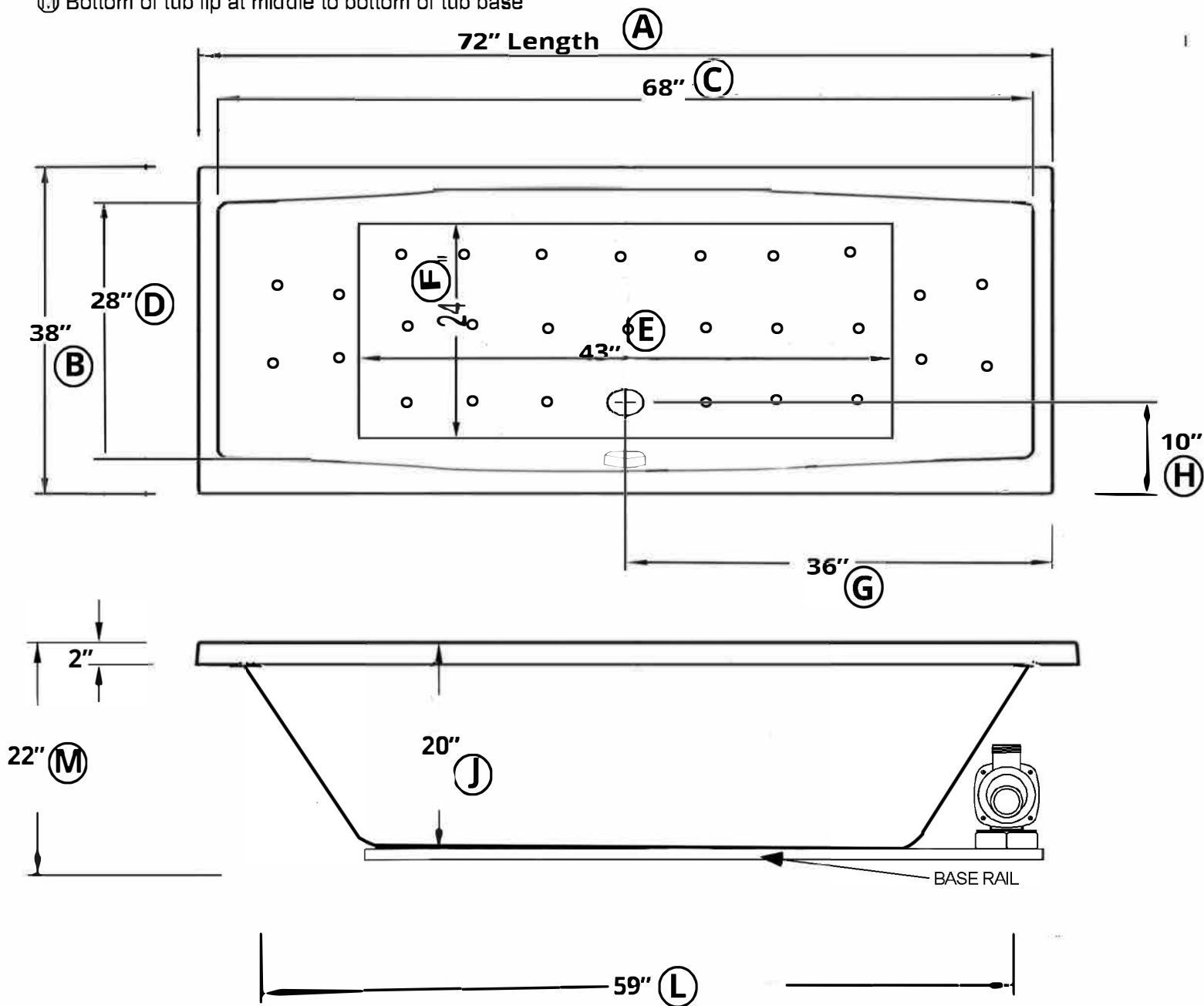


ALL SPECIFICATIONS VALID AS OF 05/25/2015  
AND SUPERSEDES ALL PREVIOUS PUBLISHED DATA

# A7238

- Ⓐ Total length of tub
- Ⓑ Total width of tub
- Ⓒ Inside length of tub at top
- Ⓓ Inside width of tub at top
- Ⓔ Inside length of tub floor
- Ⓕ Inside width of tub floor
- Ⓖ End of tub to center of drain
- Ⓗ Side of tub to center of drain
- Ⓙ Top of tub to tub floor at deepest point
- Ⓚ Top of tub at highest point to bottom of tub base
- Ⓛ Bottom of tub lip at end to bottom of base
- Ⓜ Bottom of tub lip at middle to bottom of tub base



Measurements are plus or minus 1/2", and are subject to change without notice.  
This data sheet supersedes all specifications published prior to this publication date.